

PRODUCT SPECIFICATIONS

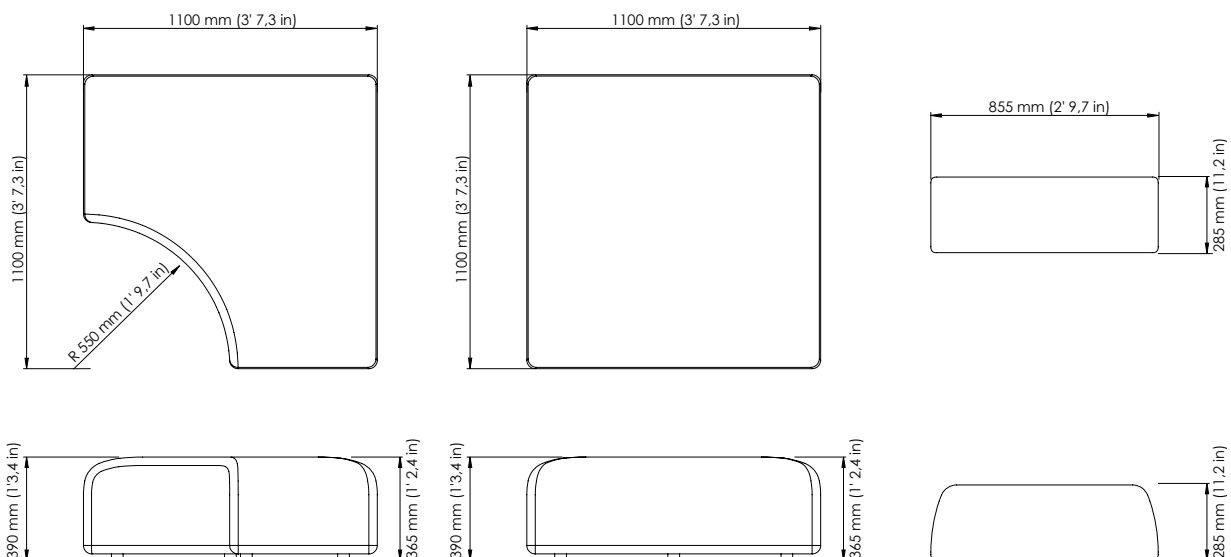
Material	100 % Acrylic Outdoor fabric Dryfoam 25 kg/m ³ EN 636-3 plywood
Size	CE - Rectangular block: 1100 x 1100 x 390 mm - 3'7,3" x 3'7,3" x 1'3,4" Rectangular block : 1100 x 1100 x 390 mm - 3'7,3" x 3'7,3" x 1'3,4" Cushion: 825 x 285 x 285 mm - 2'9,7" x 11,2" x 11,2"
Weight	CE - Rectangular block: 20 kg - 44 lbs Rectangular block: 25 kg - 55 lbs Cushion: 2,5 kg - 5,5 lbs
Maintenance	Periodic cleaning recommended Wipe fresh stains with a damp cloth
Warranty	Warranty of 2 year after registration

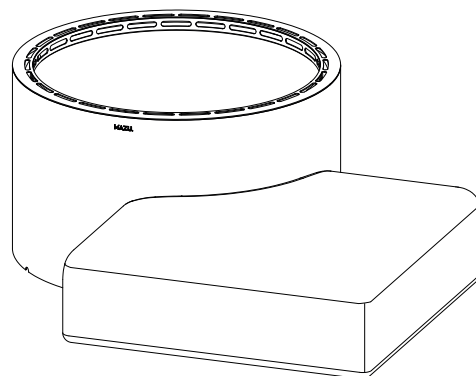
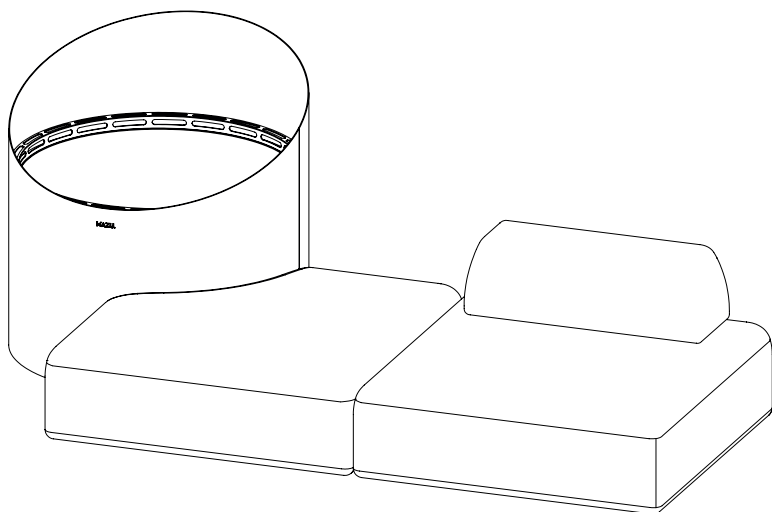
FINISHES

SALVIA GREEN 20253		SAND GRAY 20247
OPTIK WHITE 20245		PAPYRUS BEIGE 20246

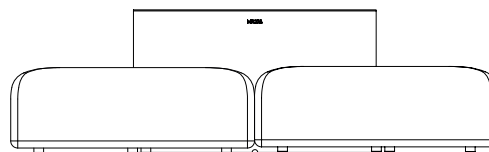
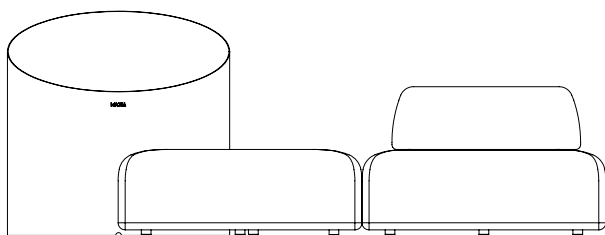
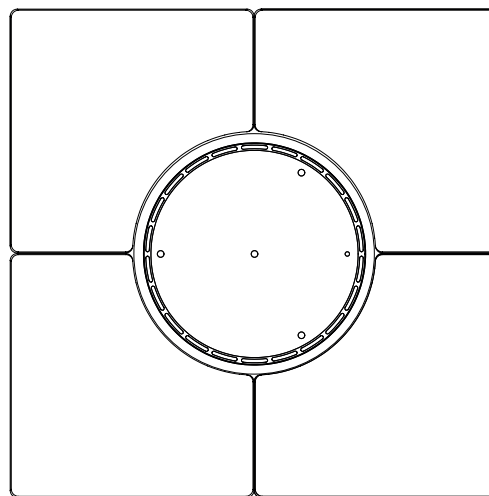
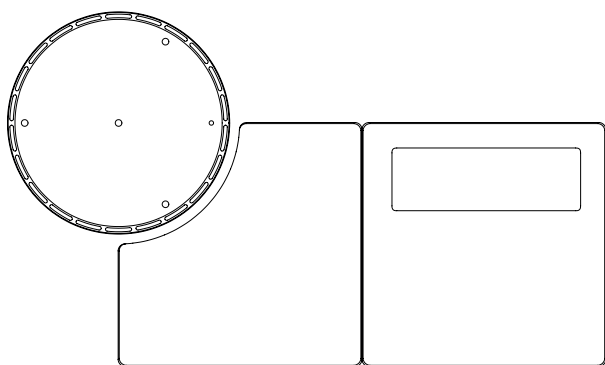
Martindale	20.000 rubs
Colour Fastness	8/8 - EN ISO 105
Pilling	5/5 - EN ISO 1294-2

Certifications	PFASs Free EN 1021-1, BS5852-0, CAL TB 117
----------------	---





RECOMMENDED LAYOUTS (EXAMPLES)



1 x WEDGE EXTRA LARGE
1 X CRUISER EC - RECTANGULAR BLOCK
1 X CRUISER RECTANGULAR BLOCK
1 X CRUISER CUSHION

1 x TANK EXTRA LARGE
4 X CRUISER EC - RECTANGULAR BLOCK