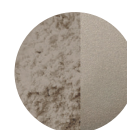


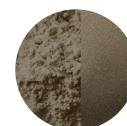
PRODUCT SPECIFICATIONS*

| | |
|-------------------|--|
| Material | Powdercoated Aluminium |
| Size | Medium: Ø560 x 650 MM Large: Ø800 x 850 MM Extra Large: Ø1000 x 1020 MM |
| Weight | Medium: 13 KG Large: 22.5 KG Extra Large: 32.5 KG |
| Power consumption | max. 150 W |
| Voltage | 100-240 VAC - 50Hz |
| Connection | Hardwired, G3x1 mm ² type H05RN-F recommended |
| Light source | Custommade LED, 14,4W/m, 140LED/m, 2700K, 24VDC CRI>85, Beam Angle 270° |
| Classification | Ingress protection IP65 (LED) CE Marking, EMC, LVD All components are CE and uL certified* |
| Maintenance | Maintenance free , wipe fresh stains with a damp cloth |
| Warranty | Extended warranty of 5 year after registration |

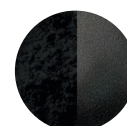
FINISHES



LIGHT GREY
C31



BRONZE
C33



BL/ BROWN
C34

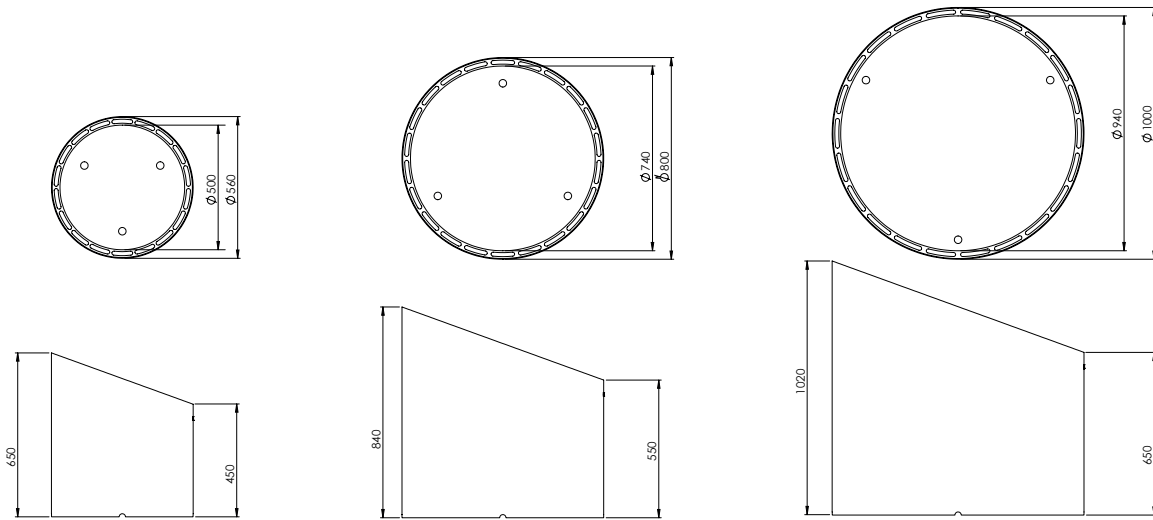


IVORY
RAL 1013 HR



CUSTOM
RAL

* custom solutions on request, ask us about it!



DRIVER SPECIFICATIONS*

| | |
|----------------|--|
| Specifications | WiFi + Bluetooth + 2.4G wireless transmission technology, low power consumption |
| Dimmer | Fully Dimmable, control brightness/saturation |
| Classification | Ingress protection IP67 (DRIVER), CE Marking, EMC, LVD All components are CE and uL certified* |
| Control | App Remote Control (sold separatly) Hardwired on existing system |
| Safety | The driver needs to be connected with waterproof connectors and provided with a reliable grounding |

* custom solutions on request, ask us about it!

COMPATIBLE WITH



Amazon Alexa



Tuya Smart Home



Google Home



Casambi Custom solutions



DALI Custom solutions



Custom solutions

